



DEPARTMENT OF REGULATORY AND ECONOMIC RESOURCES (RER)  
BOARD AND CODE ADMINISTRATION DIVISION

MIAMI-DADE COUNTY  
PRODUCT CONTROL SECTION  
11805 SW 26 Street, Room 208  
Miami, Florida 33175-2474  
T (786) 315-2590 F (786) 315-2599

[www.miamidade.gov/economy](http://www.miamidade.gov/economy)

## NOTICE OF ACCEPTANCE (NOA)

Seasons-4, Inc.  
4500 Industrial Access Road  
Douglasville, Georgia 30134-3949

### SCOPE:

This NOA is being issued under the applicable rules and regulations governing the use of construction materials. The documentation submitted has been reviewed and accepted by Miami-Dade County RER- Product Control Section to be used in Miami Dade County and other areas where allowed by the Authority Having Jurisdiction (AHJ).

This NOA shall not be valid after the expiration date stated below. The Miami-Dade County Product Control Section (In Miami Dade County) and/or the AHJ (in areas other than Miami Dade County) reserve the right to have this product or material tested for quality assurance purposes. If this product or material fails to perform in the accepted manner, the manufacturer will incur the expense of such testing and the AHJ may immediately revoke, modify, or suspend the use of such product or material within their jurisdiction. RER reserves the right to revoke this acceptance if it is determined by Miami-Dade County Product Control Section that this product or material fails to meet the requirements of the applicable building code.

This product is approved as described herein and has been designed to comply with the High Velocity Hurricane Zone of the Florida Building Code.

### DESCRIPTION: HVAC Air Handling Unit

**APPROVAL DOCUMENT:** Drawing No. MDTC, titled "Test Cabinet-NOA", sheets 1 through 13 of 13, prepared by Seasons-4, Inc., dated April 21, 2013, Last revision #5, dated May 20, 2016, signed and sealed by Scott Wolters, P.E., on September 29, 2020, bearing the Miami-Dade County Product Control Revision stamp with the Notice of Acceptance number and the expiration date by the Miami-Dade County Product Control Section.

### MISSILE IMPACT RATING: Large and Small Missile Impact Resistant

**LABELING:** Each unit shall bear a permanent label with the manufacturer's name or logo, city, state, and the following statement: "Miami-Dade County Product Control Approved", unless otherwise noted herein.

**RENEWAL** of this NOA shall be considered after a renewal application has been filed and there has been no change in the applicable building code negatively affecting the performance of this product.

**TERMINATION** of this NOA will occur after the expiration date or if there has been a revision or change in the materials, use, and/or manufacture of the product or process. Misuse of this NOA as an endorsement of any product, for sales, advertising or any other purposes shall automatically terminate this NOA. Failure to comply with any section of this NOA shall be cause for termination and removal of NOA.

**ADVERTISEMENT:** The NOA number preceded by the words Miami-Dade County, Florida, and followed by the expiration date may be displayed in advertising literature. If any portion of the NOA is displayed, then it shall be done in its entirety.

**INSPECTION:** A copy of this entire NOA shall be provided to the user by the manufacturer or its distributors and shall be available for inspection at the job site at the request of the Building Official.

This NOA revises NOA #19-0711.08 and consists of this page 1, evidence submitted pages E-1 & E-2 as well as approval document mentioned above.

The submitted documentation was reviewed by **Helmy A. Makar, P.E., M.S.**



*Helmy A. Makar*  
05/27/2021

NOA No. 20-0929.16  
Expiration Date: 12/24/2024  
Approval Date: 05/27/2021

**NOTICE OF ACCEPTANCE: EVIDENCE SUBMITTED**

1. **EVIDENCE SUBMITTED UNDER PREVIOUS APPROVAL # 14-1202.04**
  - A. **DRAWINGS**
    1. *Drawing No. MDTC-001, titled "Cabinet with Casing", 13 sheets, prepared by Seasons 4, Inc., dated 04/21/13, revision #4, signed and sealed by Scott Wolters, P.E., on 10/24/2014.*
  - B. **TESTS**
    1. *Test reports on 1) Uniform Static Air Pressure Test, Loading per TAS 202-94, 2) Large Missile Impact Test per TAS 201-94, 3) Cyclic Wind Pressure Loading per TAS 203-94, along with marked-up drawings and installation diagram of Custom Air Handling Cabinet, prepared by Architectural Testing, Test Report No. C9425.01-550-18, dated 11/15/13, signed and sealed by Vinu J. Abraham, P.E.*
    2. *Test reports on Racking Load Test per ASTM E72, along with marked-up drawings and installation diagram of Custom Air Handling Cabinet, prepared by Architectural Testing, Test Report # D2660.01-119-18, dated 01/08/14, signed & sealed by Gary T. Hartman, P.E.*
  - C. **CALCULATIONS**
    1. *Calculation titled Seasons 4 Custom Air Handling Cabinet, 4 pages, dated May 12, 2014, prepared by Wolters Engineering, signed and sealed by Scott Wolters, P.E.*
  - D. **QUALITY ASSURANCE**
    1. *By Miami-Dade County Department of Regulatory and Economic Resources (RER).*
  - E. **MATERIAL CERTIFICATIONS**
    1. *None.*
  - F. **STATEMENTS**
    1. *Compliance Letter with the FBC-2010, dated 01/22/14, signed, sealed by Scott Wolters, P.E.*
2. **EVIDENCE SUBMITTED UNDER PREVIOUS APPROVAL # 16-0525.03**
  - A. **DRAWINGS**
    1. *Drawing No. MDTC, titled "Test Cabinet-NOA", 13 sheets, prepared by Seasons-4, Inc., dated 04/21/2013, revision #5, dated 05/20/2016, signed & sealed by Scott Wolters, P.E.*
  - B. **TESTS**
    1. *None.*
  - C. **CALCULATIONS**
    1. *None.*
  - D. **QUALITY ASSURANCE**
    1. *By Miami-Dade County Department of Regulatory and Economic Resources (RER).*
  - E. **MATERIAL CERTIFICATIONS**
    1. *None.*
  - F. **STATEMENTS**
    1. *Compliance Letter with the FBC-2014, dated 05/20/16, signed, sealed by Scott Wolters, P.E.*
3. **EVIDENCE SUBMITTED UNDER PREVIOUS APPROVAL # 17-1218.03**
  - A. **DRAWINGS**
    1. *None.*
  - B. **TESTS**
    1. *None.*



Helmy A. Makar, P.E., M.S.  
Product Control Section Supervisor  
NOA No. 20-0929.16  
Expiration Date: 12/24/2024  
Approval Date: 05/27/2021

**NOTICE OF ACCEPTANCE: EVIDENCE SUBMITTED**

**C. CALCULATIONS**

1. *None.*

**D. QUALITY ASSURANCE**

1. *By Miami-Dade County Department of Regulatory and Economic Resources (RER).*

**E. MATERIAL CERTIFICATIONS**

1. *None.*

**F. STATEMENTS**

1. *Compliance Letter with the FBC-2017, dated 11/29/17, signed, sealed by Scott Wolters, P.E.*

**4. EVIDENCE SUBMITTED UNDER PREVIOUS APPROVAL # 19-0711.08**

**A. DRAWINGS**

1. *None.*

**B. TESTS**

1. *None.*

**C. CALCULATIONS**

1. *None.*

**D. QUALITY ASSURANCE**

1. *By Miami-Dade County Department of Regulatory and Economic Resources (RER).*

**E. MATERIAL CERTIFICATIONS**

1. *None.*

**F. STATEMENTS**

1. *Compliance Letter with the FBC-2017, dated 11/29/17, signed, sealed by Scott Wolters, P.E.*

**5. NEW EVIDENCE SUBMITTED**

**A. DRAWINGS**

1. *Drawing No. MDTC, titled "Test Cabinet-NOA", sheets 1 through 13 of 13, prepared by Seasons-4, Inc., dated 04/21/2013, revision #5, dated 05/20/2016, signed and sealed by Scott Wolters, P.E., on 09/29/2020.*

**B. TESTS**

1. *None.*

**C. CALCULATIONS**

1. *None.*

**D. QUALITY ASSURANCE**


1. *By Miami-Dade County Department of Regulatory and Economic Resources (RER).*

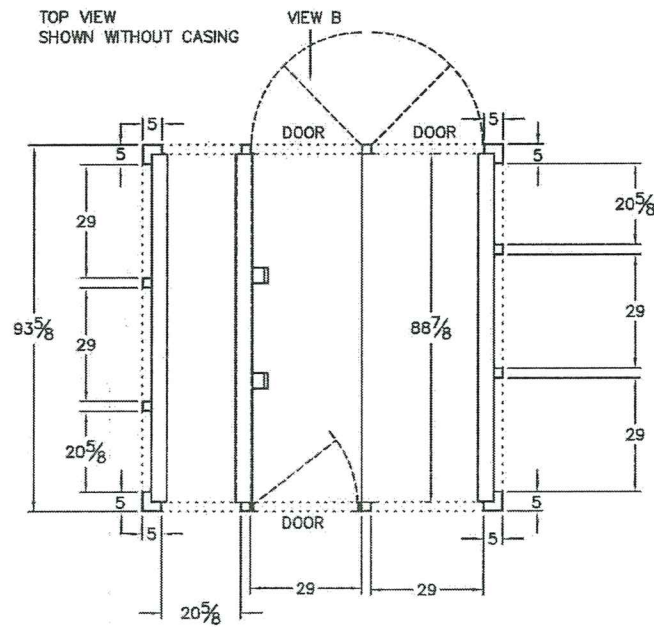
**E. MATERIAL CERTIFICATIONS**

1. *None.*

**F. STATEMENTS**

1. *Compliance Letter with the FBC-2020, dated 09/29/20, signed and sealed by Scott Wolters, P.E.*

  
\_\_\_\_\_  
Helmy A. Makar, P.E., M.S.  
Product Control Section Supervisor  
NOA No. 20-0929.16  
Expiration Date: 12/24/2024  
Approval Date: 05/27/2021

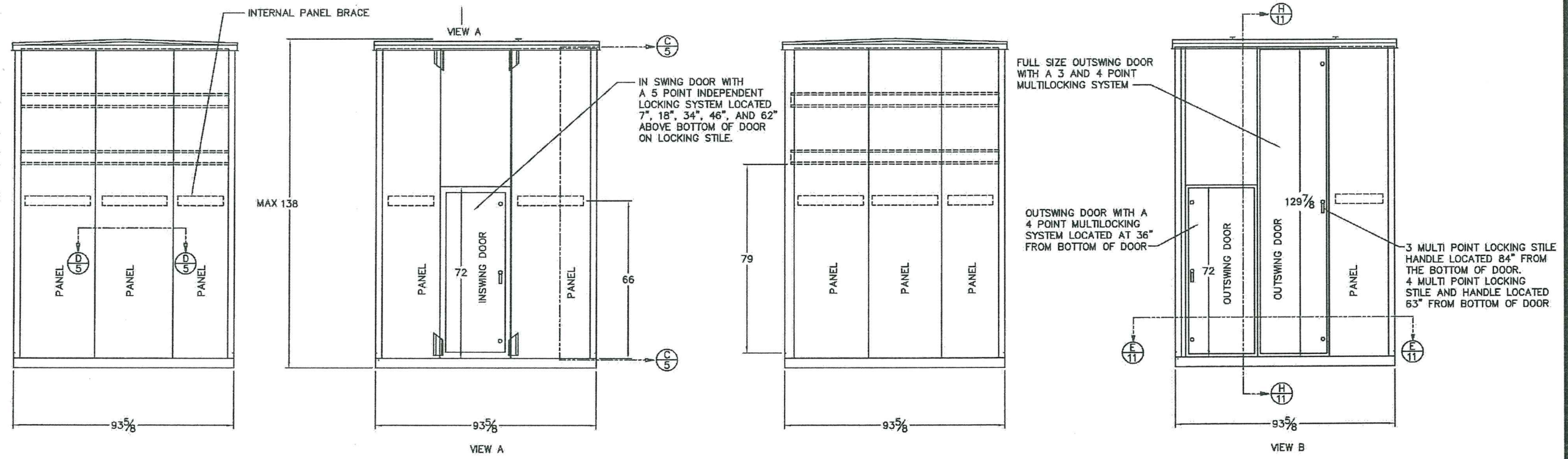


ALLOWABLE DESIGN LOADS	
WINDLOADS: WALLS	+/-100 PSF
ROOF	+/-100 PSF
MAX. SHEAR LOAD PER LINEAL FT OF WALL:	
STEEL LINED PANELS	287 LB/FT
ALUMINUM LINED PANELS	293 LB/FT
TENSILE CAPACITY OF PANELS:	
STEEL LINERS	2082 lb
ALUMINUM LINERS	2,285 lb
COMPRESSION CAPACITY OF PANELS:	
STEEL LINER	3044 lb
ALUMINUM LINER	2416 lb

- GENERAL NOTES:**
1. THIS PRODUCT HAS BEEN DESIGNED AND TESTED TO MEET THE REQUIREMENTS OF THE 7TH EDITION (2020) FLORIDA BUILDING CODE, INCLUDING THE HVHZ PROVISIONS.
  2. THIS PRODUCT IS LARGE MISSILE IMPACT RESISTANT. SHUTTERS ARE NOT REQUIRED.
  3. THE STRUCTURAL ADEQUACY OF THE ROOF TO SUPPORT THIS EQUIPMENT IS NOT A PART OF THIS APPROVAL, AND SHOULD BE REVIEWED BY THE ENGINEER OF RECORD.

MAX. WALL PANEL SIZE: 130" HIGH X 34" WIDE AND 2" THICK  
 WALL PANEL OUTSIDE CASING MATERIAL .040" 3003 H14 ALUMINUM  
 WALL PANEL INSIDE LINER MATERIAL: .040" 3003 H14 ALUMINUM OR  
 A653 COMMERCIAL STEEL (.023) 24 GA GALVANIZED STEEL

**PRODUCT REVISED**  
 as complying with the Florida Building Code  
 Acceptance No 20-0929.16  
 Expiration Date 12/24/2024  
 By H. G. A. Melor  
 Miami Dade Product Control



**LEGEND**

(H)	HINGED ACCESS DOOR
-----	--------------------

UNIT (COMPLETE ASSEMBLY) REFER TO DRAWING 5 FOR SECTION C-C

J: \B500-B599\B505\Drafting\TESTCABINET-NOA

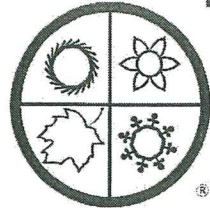
REV. #	BY	DATE	DESCRIPTION
1	D.R.	04/26/2013	CHANGED THE DESCRIPTION OF DETAIL C.
2	D.R.	04/29/2013	CHANGED FROM DETAIL CC AND DD TO SECTION CC AND DD.
3	D.R.	05/09/2013	INCREASED WIDTH OF UNIT.
4	D.R.	10/09/2013	REVISED DOORS AND PANELS.
5	D.R.	05/20/2016	2014 CODE UPDATE

SCOTT WOLTERS  
 FL PE# 62354

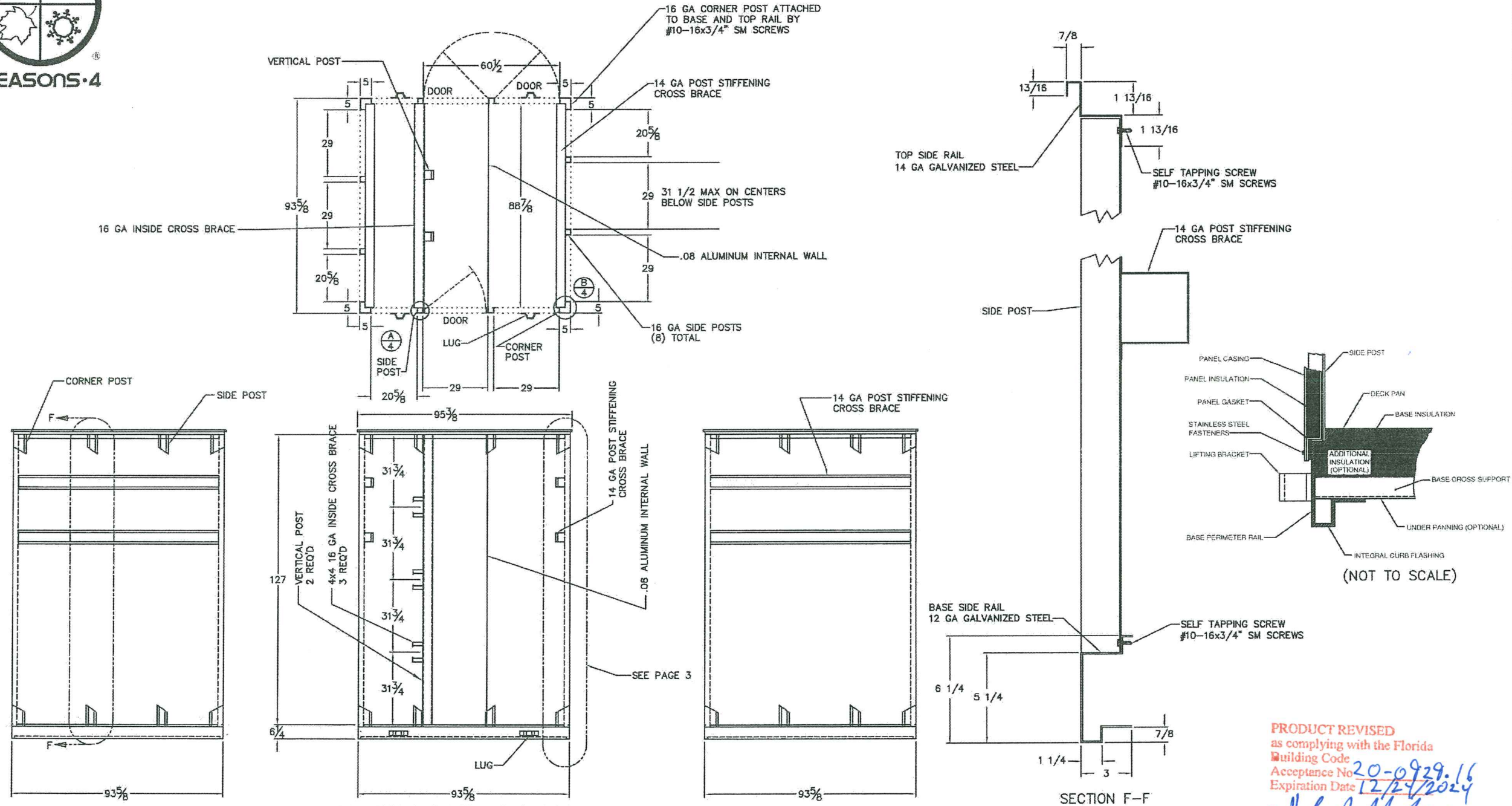
WOLTERS ENGINEERING  
 (COA# 27194)  
 15211 97TH ROAD N  
 WEST PALM BEACH, FL 33411  
 PH/FAX: (561) 225-1982

DIMENSIONAL DATA	
MIAMI DADE TEST CABINET	
MIAMI, FL	
MDTC-001	
CABINET WITH CASING	

DRAWN BY	D.R.
DATE	04/21/2013
SCALE	N/A
REVISION #	4
DWG. NAME	TESTCABINET-NOA



SEASONS-4



PRODUCT REVISED  
 as complying with the Florida  
 Building Code  
 Acceptance No. 20-0929.16  
 Expiration Date 12/29/2024  
 By *Andy A. Miller*  
 Miami Dade Product Control

SEE DRAWING 4 FOR DETAILS A AND B

UNIT FRAME ASSEMBLY

LEGEND

(H)	HINGED ACCESS DOOR
-----	--------------------

REV. #	BY	DATE	DESCRIPTION
0	D.R.	04/21/2013	ORIGINAL ISSUE
1	D.R.	05/09/2013	MADE UNIT 69 5/8 WIDER.
2	D.R.	10/09/2013	REVISED POST SPACING AND BRACING.
3	D.R.	08/27/2014	REVISED SECTION VIEW NOTE.
4	D.R.	10/7/2014	ADDED SCREWS.

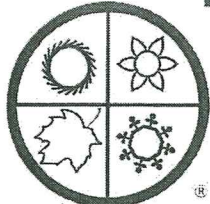
SCOTT WOLTERS  
 FL PE# 62354

WOLTERS ENGINEERING  
 (COA# 27194)  
 15211 97TH ROAD N  
 WEST PALM BEACH, FL 33412  
 PH/FAX: (561) 225-1982

J: \B500-B599\B505\Drafting\TESTCABINET-NOA

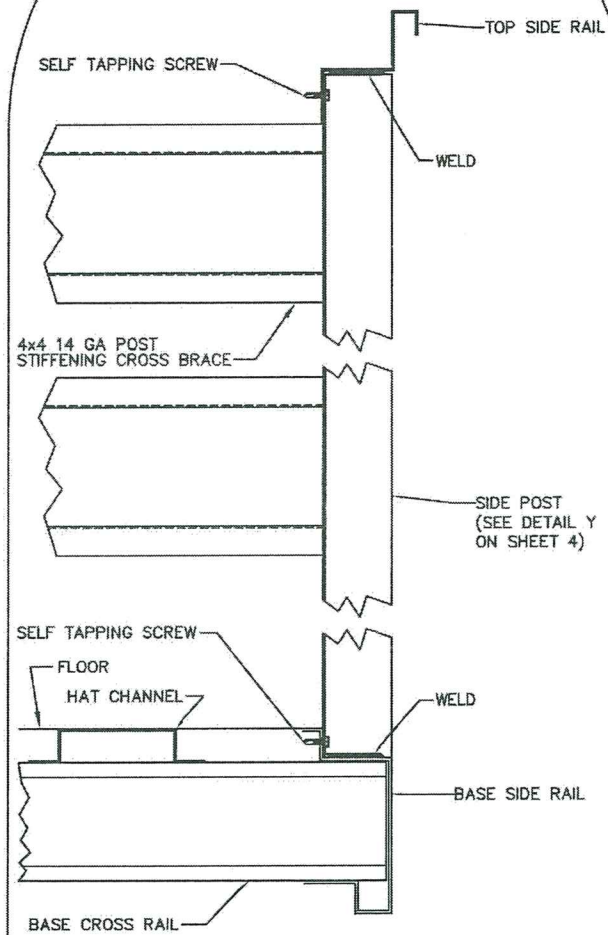
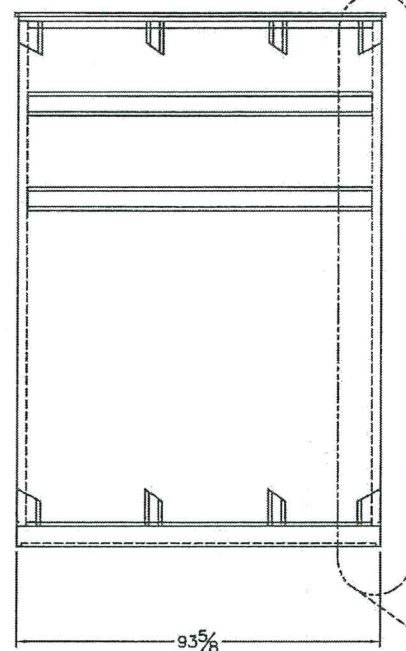
DIMENSIONAL DATA	
MIAMI DADE TEST CABINET	
MIAMI, FL	
MDTC-002	
CABINET WITHOUT CASING	

DRAWN BY	D.R.
DATE	04/21/2013
SCALE	N/A
REVISION #	4
DWG. NAME	TESTCABINET-NOA

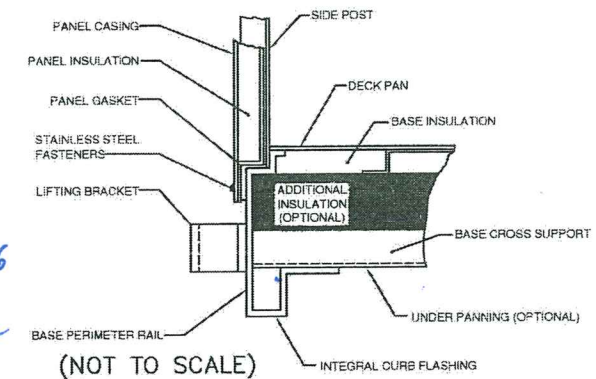
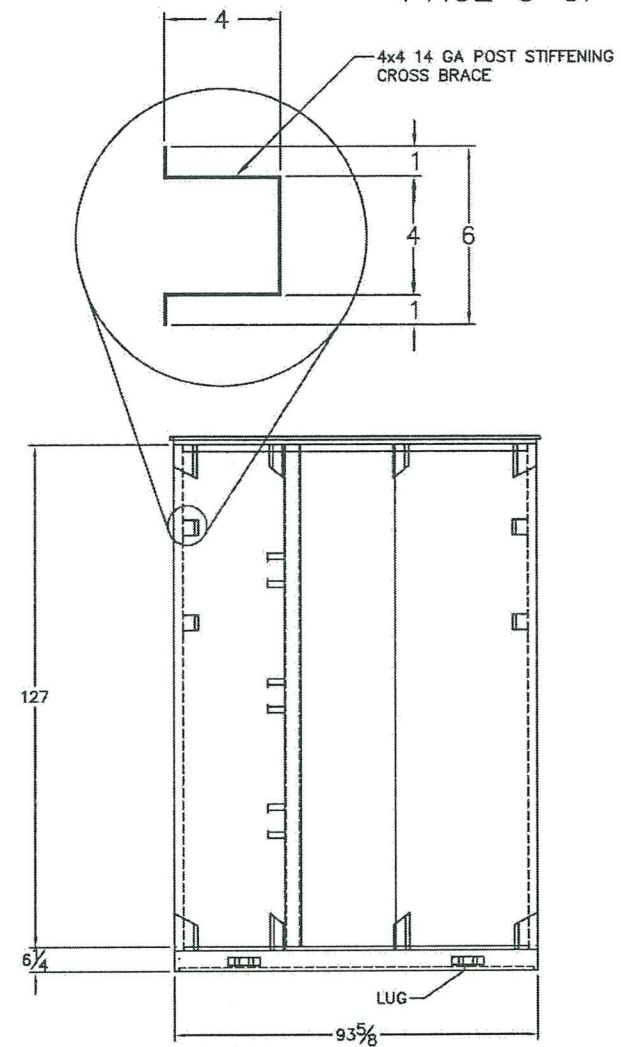


SEASONS-4

FASTENERS: #10-16x3/4  
STEEL



POST ATTACHMENT TO  
BASE AND TOP FRAME



PRODUCT REVISED  
as complying with the Florida  
Building Code  
Acceptance No. 20-0929.16  
Expiration Date 12/24/2024  
By *Hedy A. Miller*  
Miami Dade Product Control

(NOT TO SCALE)

SEE PAGE 2

J:\B500-B599\B505\Drafting\TESTCABINET-NOA

REV. #	BY	DATE	DESCRIPTION
0	DR	01/17/2014	ORIGINAL ISSUE
1	DR	04/29/2014	MADE CHANGES TO DRAWING.

SCOTT WOLTERS  
FL PE# 62354

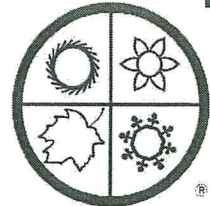
WOLTERS ENGINEERING  
(CDA# 27194)  
15211 97TH ROAD N  
WEST PALM BEACH, FL 33412  
PH/FAX: (561) 225-1982



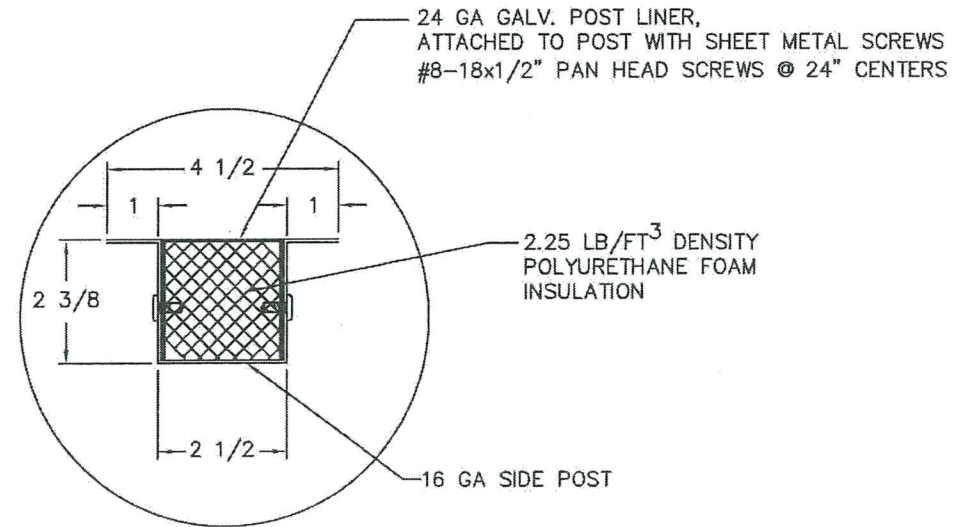
DIMENSIONAL DATA

MIAMI DADE TEST CABINET  
MIAMI, FL  
MDTC-003  
CONSTRUCTION DETAILS

DRAWN BY	DR
DATE	10/7/2014
SCALE	N/A
REVISION #	1
DWG. NAME	TEST CABINET-NOA



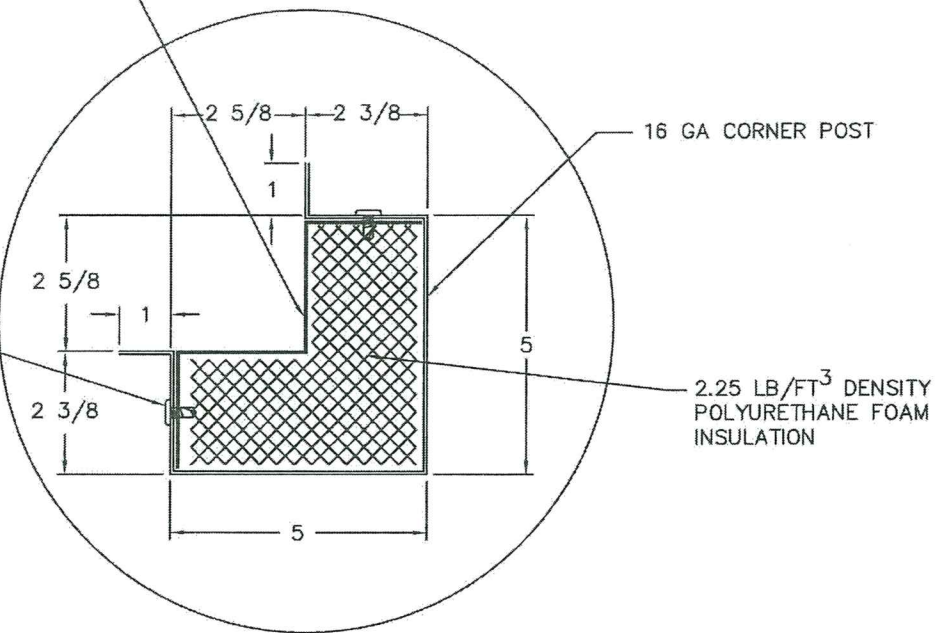
SEASONS-4



DETAIL A  
SIDE POST

24 GA GALV. POST LINER,  
ATTACHED TO POST WITH SHEET METAL SCREWS  
#8-18x1/2" PAN HEAD SCREWS @ 24" CENTERS

SELF TAPPING SCREW  
#8-18x1 1/2 STAINLESS STEEL  
24" SPACING VERTICALLY



DETAIL B  
CORNER POST

PRODUCT REVISED  
as complying with the Florida  
Building Code  
Acceptance No. 20-0929.16  
Expiration Date 12/24/2024  
By *Heidi A. Miller*  
Miami Dade Product Control

LEGEND

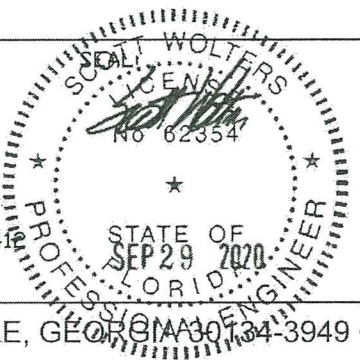
(H) HINGED ACCESS DOOR

REFER TO DRAWING 2

J:\B500-B599\B505\Drafting\TESTCABINET-NOA

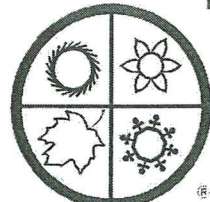
REV. #	BY	DATE	DESCRIPTION
0	D.R.	04/21/2013	ORIGINAL ISSUE
1	D.R.	05/09/2013	MADE UNIT 69 5/8 WIDER.
2	D.R.	10/09/2013	REVISED POST SPACING AND BRACING.
3	D.R.	08/27/2014	REVISED SECTION VIEW NOTE.
4	D.R.	10/7/2014	ADDED SCREWS.

SCOTT WOLTERS  
FL PE# 62354  
  
WOLTERS ENGINEERING  
(COA# 27194)  
15211 97TH ROAD N  
WEST PALM BEACH, FL 33412  
PH/FAX: (561) 225-1982

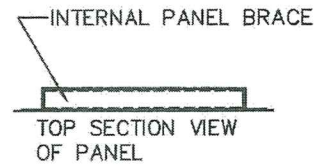


DIMENSIONAL DATA  
MIAMI DADE TEST CABINET  
MIAMI, FL  
MDTC-004  
CONSTRUCTION DETAILS

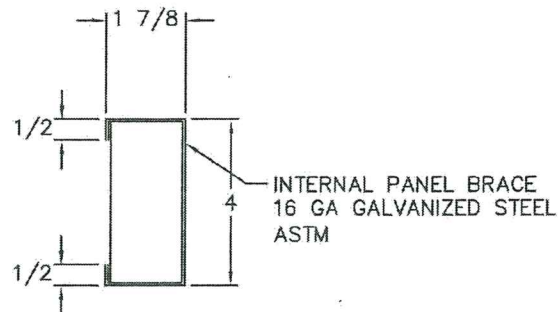
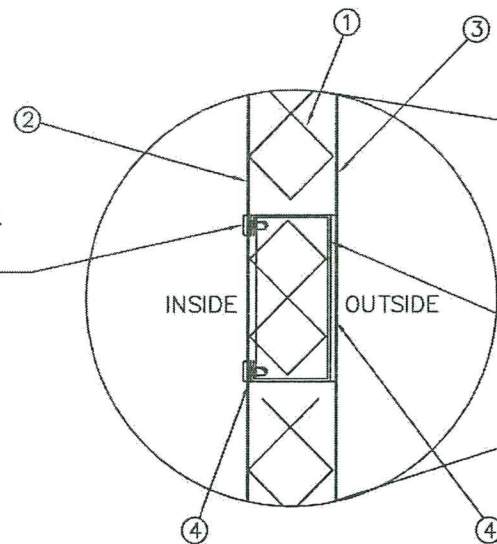
DRAWN BY	D.R.
DATE	04/21/2013
SCALE	N/A
REVISION #	4
DWG. NAME	TESTCABINET-NOA



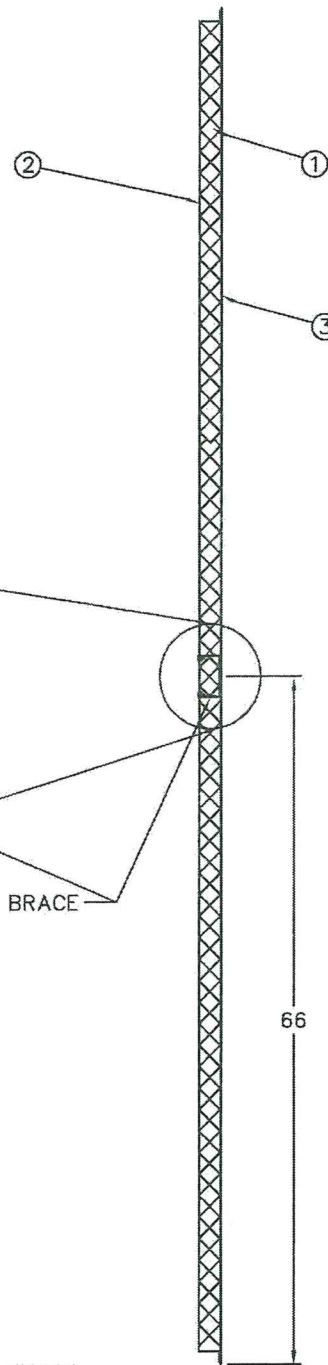
SEASONS-4



#8-18x1/2 PAN HEAD SCREW.  
3 1/2" SPACING VERTICALLY.  
8" SPACING HORIZONTALLY.

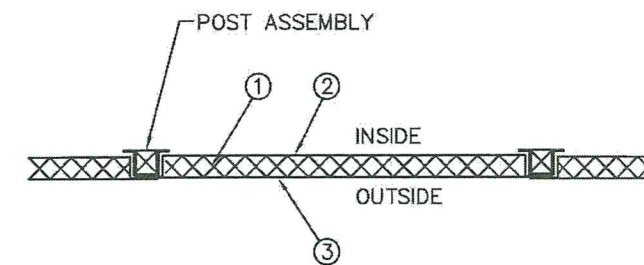


INTERNAL PANEL BRACE



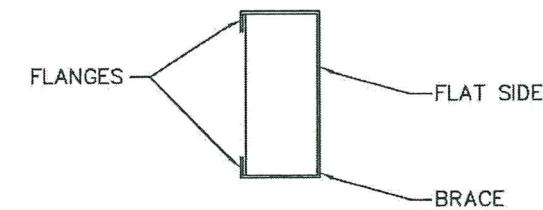
SIDE SECTION VIEW OF PANEL ASSEMBLY

SECTION C-C



PANEL AND POST ASSEMBLY  
SEE SHEET 1  
SECTION D-D

- ① 2.25 LB/FT<sup>3</sup> DENSITY POLYURETHANE FOAM INSULATION
- ② .04 ALUMINUM OR 24 GA GALVANIZED PANEL LINER (INSIDE)
- ③ .04 ALUMINUM CASING PANEL (OUTSIDE)
- ④ DOUBLE SIDED STRUCTURAL TAPE APPLIED TO INSIDE OF .04 ALUMINUM CASING PANEL AND PANEL LINER. TAPE IS APPLIED TO CENTER OF THE BRACE ON FLAT SIDE. TAPE IS APPLIED TO BRACE FLANGES.



PRODUCT REVISED  
as complying with the Florida  
Building Code  
Acceptance No 20-0929.14  
Expiration Date 12/29/2024  
By Hege A. Miller  
Miami Dade Product Control

LEGEND

Ⓜ HINGED ACCESS DOOR REFER TO DRAWING 1 FOR SECTION CUTS

REV. #	BY	DATE	DESCRIPTION
0	D.R.	04/21/2013	ORIGINAL ISSUE
1	D.R.	04/26/2013	ADDED INSULATION TO DETAIL C.
2	D.R.	04/29/2013	CHANGED WORDING.
3	D.R.	05/08/2013	ADDED DETAIL FOR INTERNAL BRACE.
4	D.R.	08/27/2014	REVISED NOTE FOR SECTION CUTS.

SCOTT WOLTERS  
FL PE# 62354

WOLTERS ENGINEERING  
(CDA# 27194)  
15211 97TH ROAD N  
WEST PALM BEACH, FL 33412  
PH/FAX: (561) 225-1982



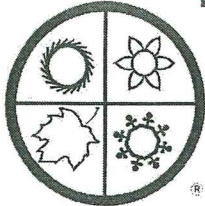
DIMENSIONAL DATA

MIAMI DADE TEST CABINET  
MIAMI, FL

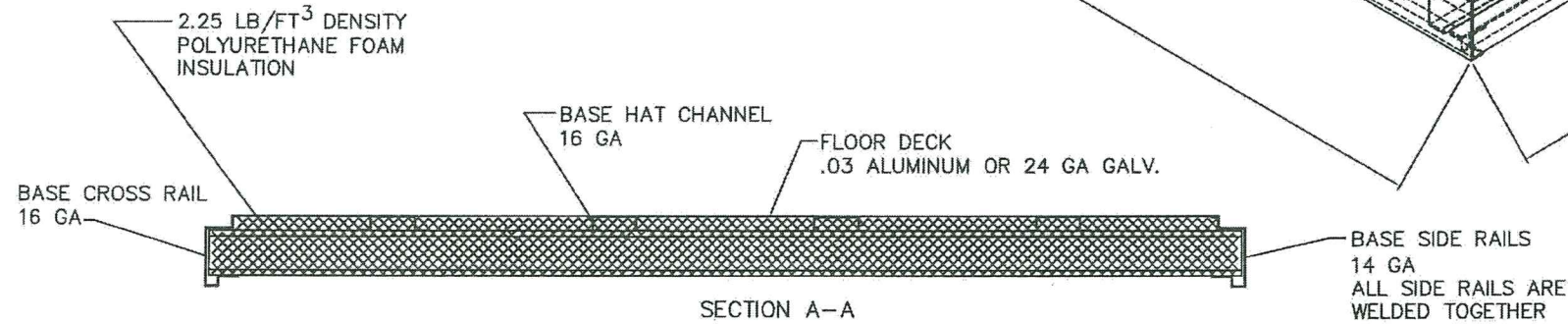
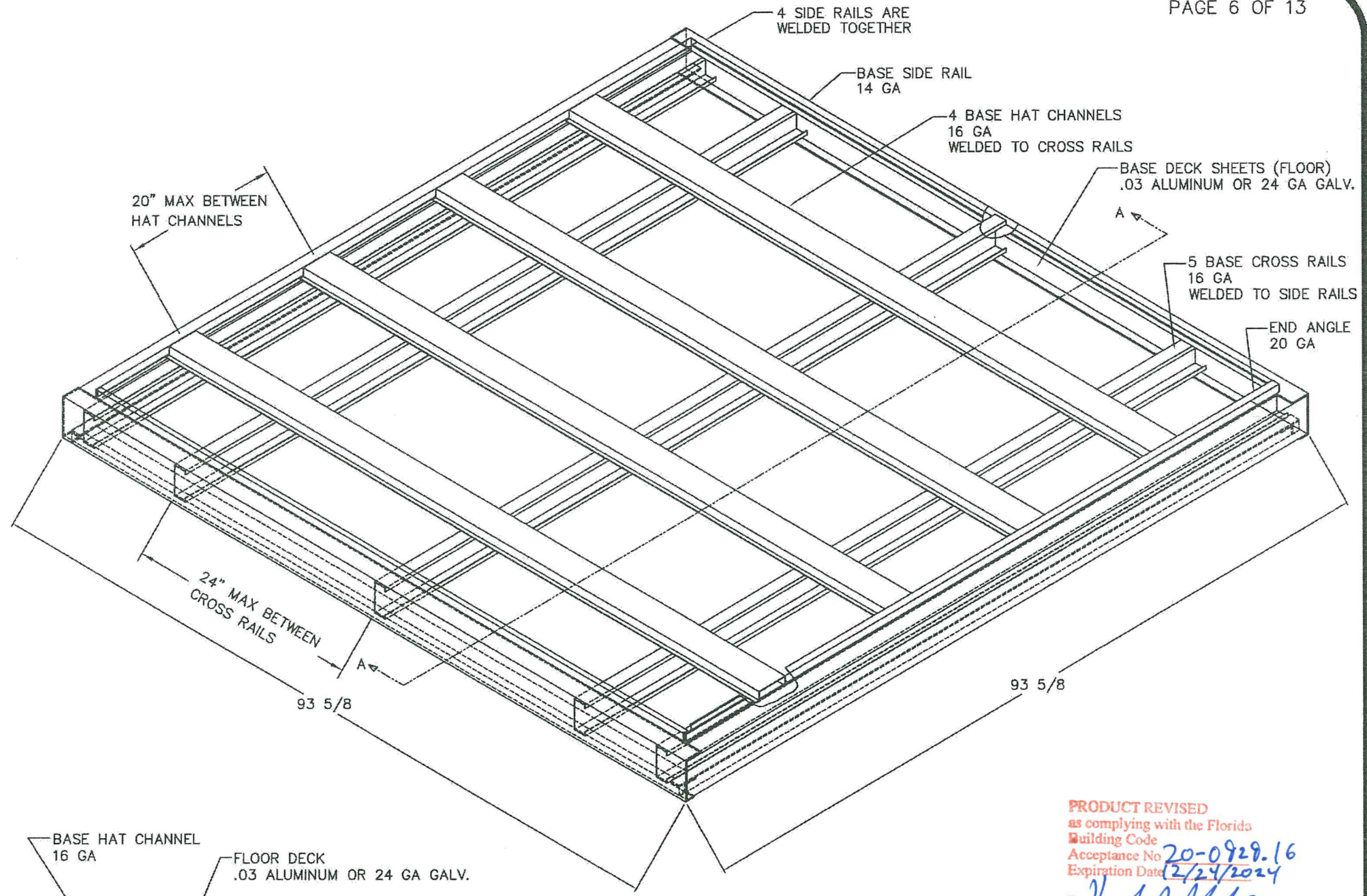
MDTC-005  
CONSTRUCTION DETAILS

DRAWN BY		D.R.
DATE		04/21/2013
SCALE		N/A
REVISION #	4	
DWG. NAME		
TESTCABINET-NOA		





SEASONS-4



PRODUCT REVISED  
 as complying with the Florida  
 Building Code  
 Acceptance No 20-0929.16  
 Expiration Date 12/24/2024  
 By *[Signature]*  
 Miami Dade Product Control

SEE PAGE 7 FOR BASE DECK SHEET ASSEMBLY

LEGEND

(H)	HINGED ACCESS DOOR
-----	--------------------

CONSTRUCTION DETAILS  
**BASE FRAME ASSEMBLY**

J:\B500-B599\B505\Drafting\TESTCABINET-NOA

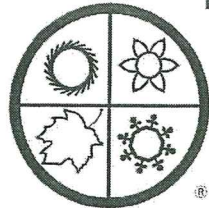
REV. #	BY	DATE	DESCRIPTION
0	D.R.	04/21/2013	ORIGINAL ISSUE
1	D.R.	04/26/2013	ADDED BOTTOM PANNING AND FOAM INSULATION.
2	D.R.	05/09/2013	INCREASED UNIT WIDTH BY 69 5/8.

SCOTT WOLTERS  
 FL PE# 62354

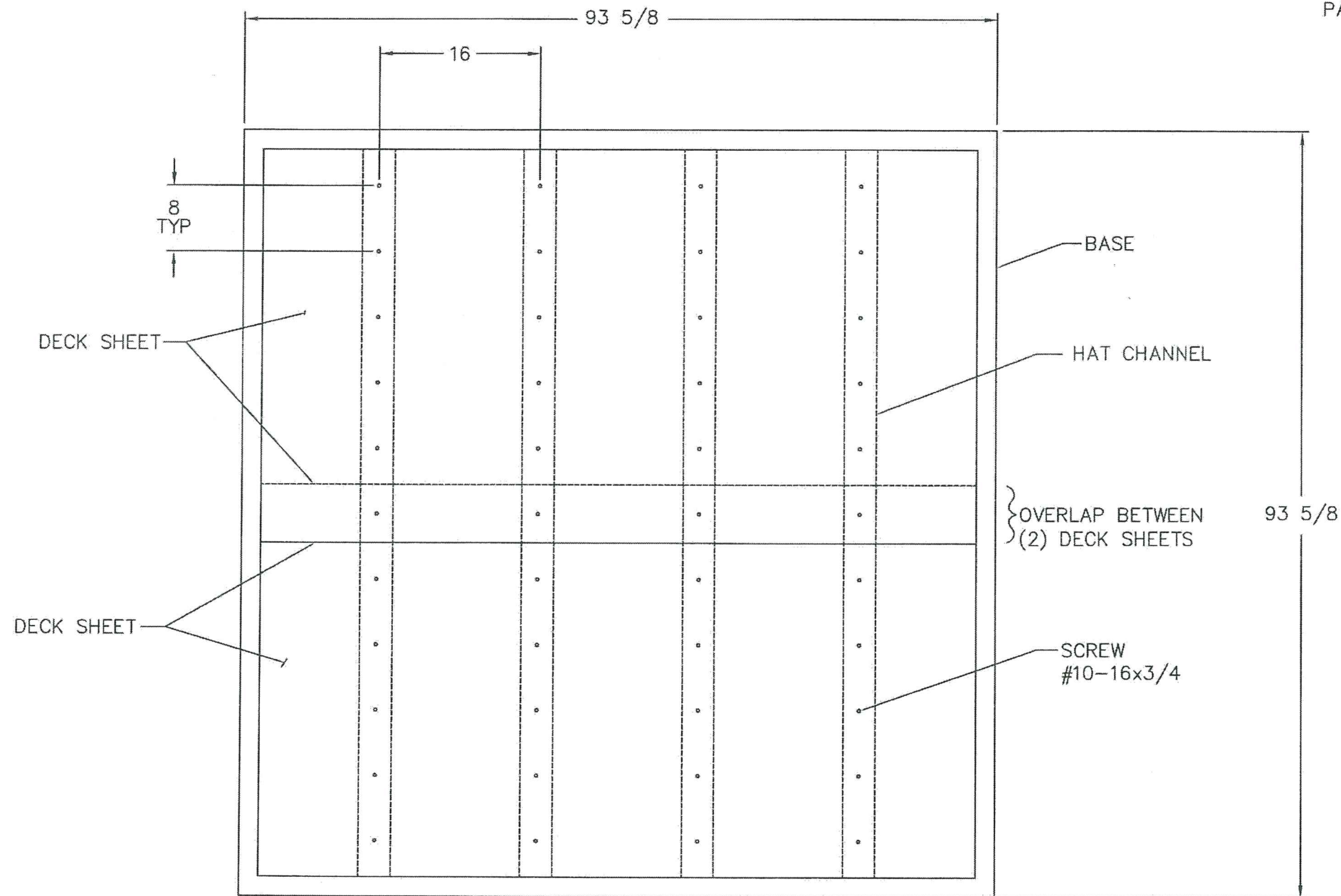
WOLTERS ENGINEERING  
 (COA# 27194)  
 15211 97TH ROAD N  
 WEST PALM BEACH, FL 33412  
 PH/FAX: (561) 225-1982

DIMENSIONAL DATA	
MIAMI DADE TEST CABINET MIAMI, FL	
MDTC-006 CONSTRUCTION DETAILS	

DRAWN BY	D.R.
DATE	04/21/2013
SCALE	N/A
REVISION #	2
DWG. NAME	TESTCABINET-NOA



SEASONS-4



PRODUCT REVISED  
 as complying with the Florida  
 Building Code  
 Acceptance No 20-0929.16  
 Expiration Date 12/24/2024  
 By *H. G. A. Miller*  
 Miami Dade Product Control

J:\B500-B599\B505\Drafting\TESTCABINET-NOA

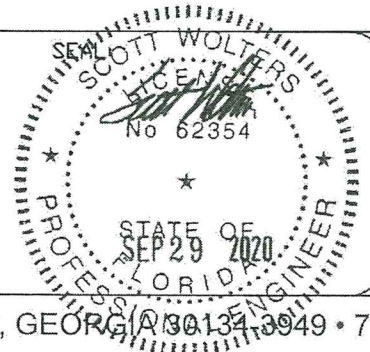
LEGEND

Ⓜ HINGED ACCESS DOOR

BASE DECK SHEET ASSEMBLY

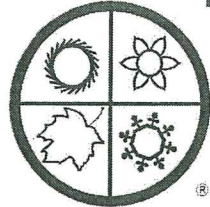
REV. #	BY	DATE	DESCRIPTION
0	D.R.	10/7/2014	ORIGINAL ISSUE

SCOTT WOLTERS  
 FL PE# 62354  
 WOLTERS ENGINEERING  
 (COA# 27194)  
 15211 97TH ROAD N  
 WEST PALM BEACH, FL 33412  
 PH/FAX: (561) 225-1982

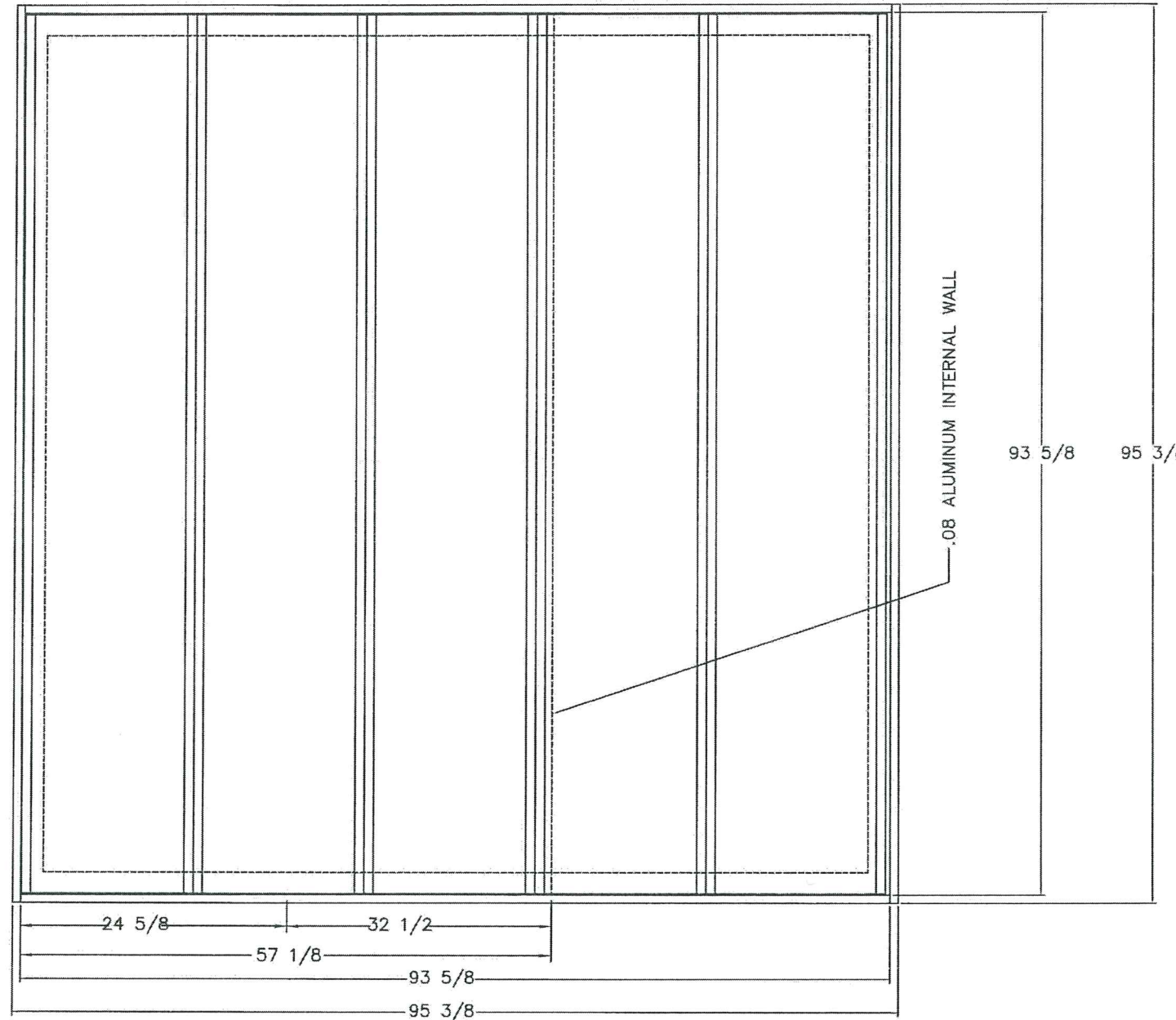


DIMENSIONAL DATA  
 MIAMI DADE TEST CABINET  
 MIAMI, FL  
 MDTC-007  
 CONSTRUCTION DETAILS

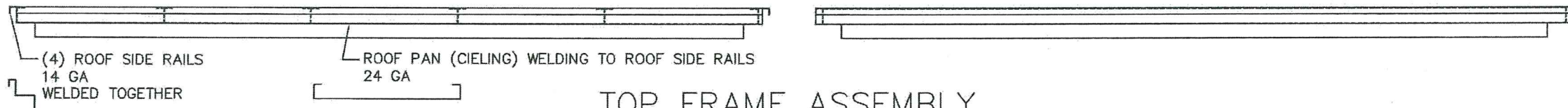
DRAWN BY	D.R.
DATE	10/7/2014
SCALE	N/A
REVISION #	0
DWG. NAME	TESTCABINET-NOA



SEASONS-4



PRODUCT REVISED  
 as complying with the Florida  
 Building Code  
 Acceptance No 20-0927.16  
 Expiration Date 12/24/2024  
 By: *[Signature]*  
 Miami Design Product Control



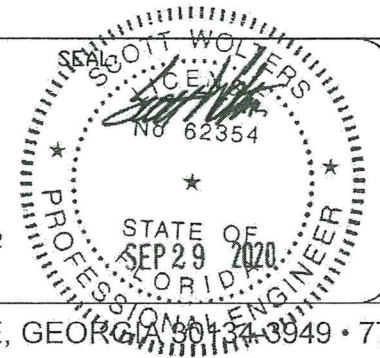
TOP FRAME ASSEMBLY

LEGEND

(H) HINGED ACCESS DOOR

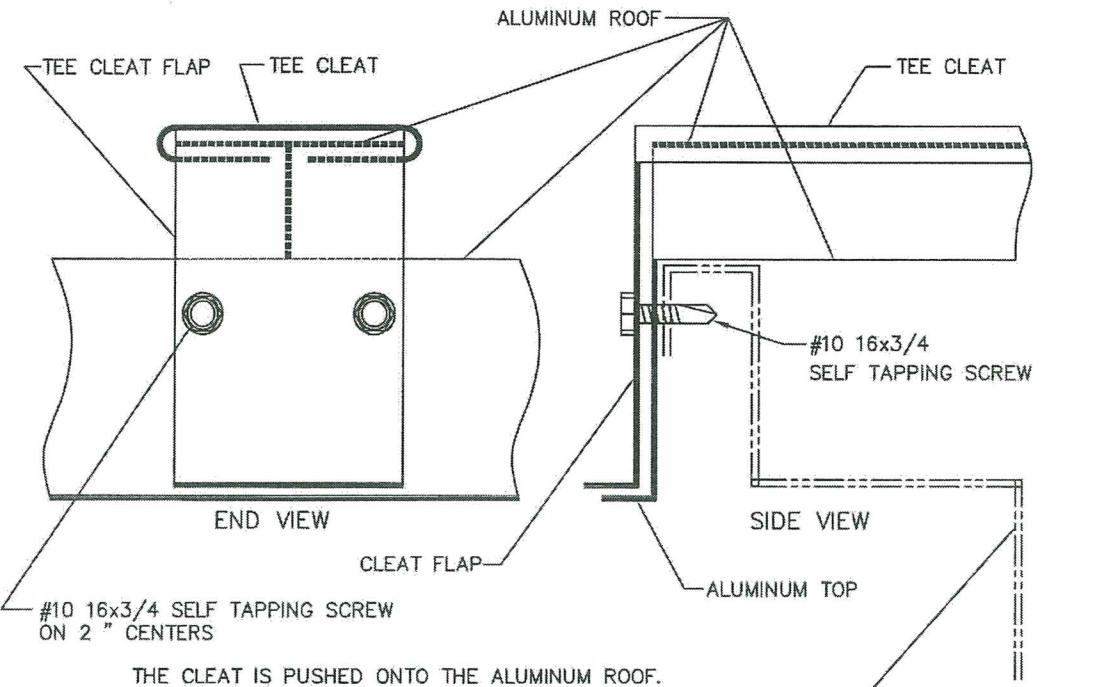
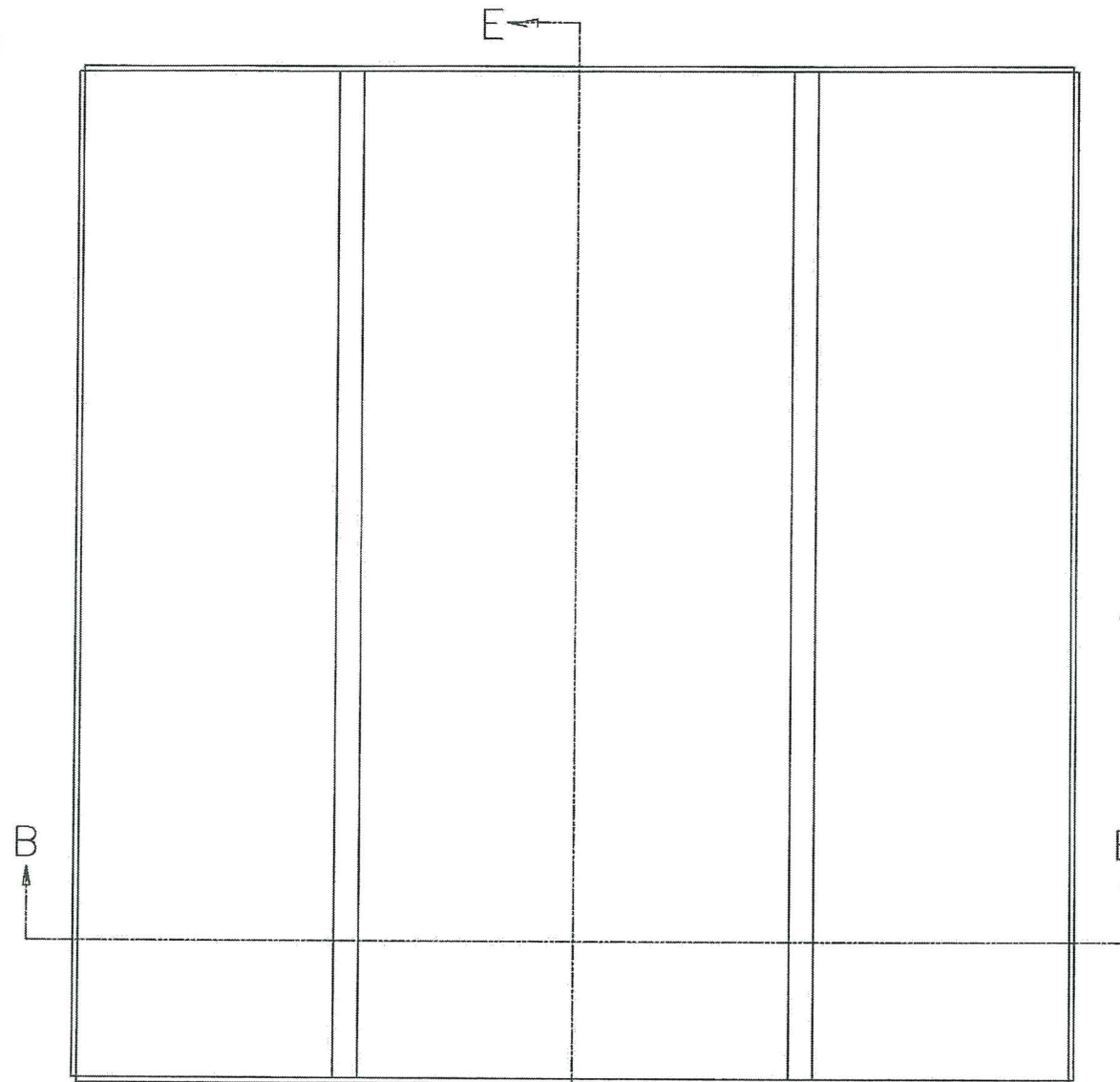
REV. #	BY	DATE	DESCRIPTION
0	D.R.	04/21/2013	ORIGINAL ISSUE
1	D.R.	05/09/2013	MADE UNIT 69 5/8 WIDER.
2	D.R.	10/09/2013	REVISED POST SPACING AND BRACING.
3	D.R.	08/27/2014	REVISED SECTION VIEW NOTE.
4	D.R.	10/7/2014	ADDED SCREWS.

SCOTT WOLTERS  
 FL PE# 62354  
 WOLTERS ENGINEERING  
 (COA# 27194)  
 15211 97TH ROAD N  
 WEST PALM BEACH, FL 33412  
 PH/FAX: (561) 225-1982



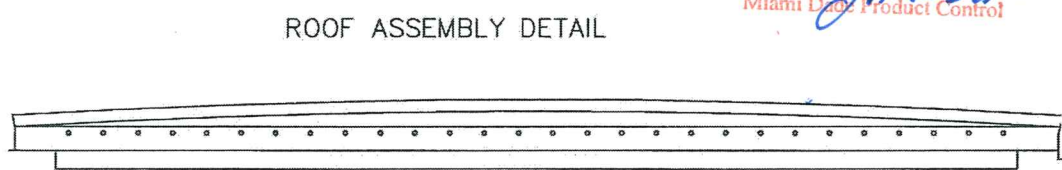
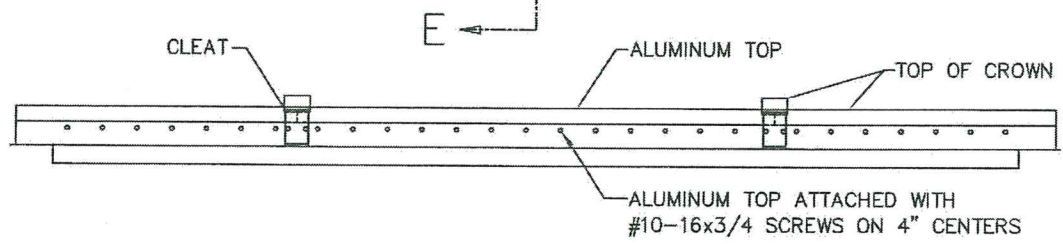
J:\B500-B599\B505\Drafting\TESTCABINET-NOA

DIMENSIONAL DATA		DRAWN BY D.R.	
MIAMI DADE TEST CABINET		DATE	04/21/2013
MIAMI, FL		SCALE	N/A
MDTC-008		REVISION #	4
CONSTRUCTION DETAILS		DWG. NAME	TESTCABINET-NOA



THE CLEAT IS PUSHED ONTO THE ALUMINUM ROOF. FLANGES WHERE 2 TOPS JOIN TOGETHER. THE TEE CLEAT RUNS THE WIDTH OF THE ROOF. THE TEE CLEAT HAS METAL STICKING OUT AT EACH END. THIS METAL IS BENT DOWN ON EACH END TO FORM THE FLAPS WHICH HOLD THE TEE CLEAT IS PLACE. THE FLAPS ARE SCREWED INTO THE TOP FRAME.

PRODUCT REVISED  
as complying with the Florida  
Building Code  
Acceptance No 20-0929.16  
Expiration Date 12/24/2024  
By H. G. Miller  
Miami Dade Product Control



TOP (COMPLETE ASSEMBLY)

REFER TO DRAWING 10 FOR SECTION VIEWS  
REFER TO DRAWING 13 FOR ROOF AND PANEL DETAILS

LEGEND	
(H)	HINGED ACCESS DOOR

REV. #	BY	DATE	DESCRIPTION
0	D.R.	04/21/2013	ORIGINAL ISSUE
1	D.R.	05/09/2013	MADE UNIT 69 5/8 WIDER.
2	D.R.	10/09/2013	REVISED POST SPACING AND BRACING.
3	D.R.	08/27/2014	REVISED SECTION VIEW NOTE.
4	D.R.	10/7/2014	ADDED SCREWS.

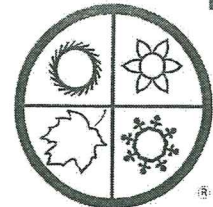
SCOTT WOLTERS  
FL PE# 62354

WOLTERS ENGINEERING  
(CDA# 27194)  
15211 97TH ROAD N  
WEST PALM BEACH, FL 33412  
PH/FAX: (561) 225-1982

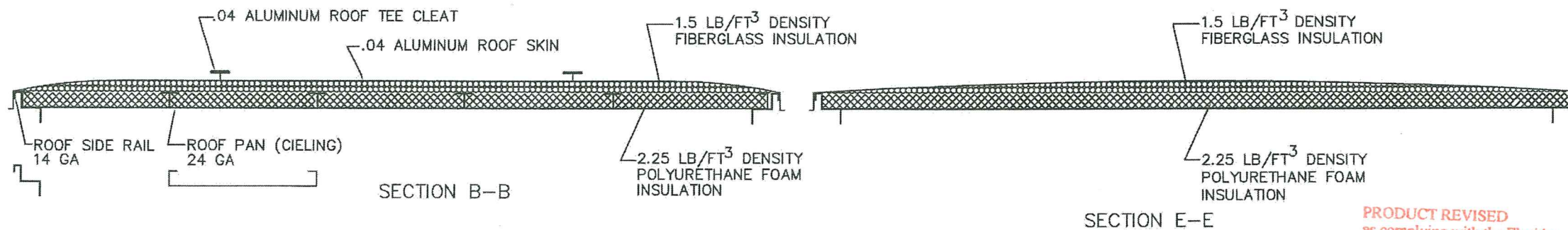
DIMENSIONAL DATA  
**MIAMI DADE TEST CABINET**  
**MIAMI, FL**  
**MDTC-009**  
**CONSTRUCTION DETAILS**

DRAWN BY	D.R.
DATE	04/21/2013
SCALE	N/A
REVISION #	4
DWG. NAME	TESTCABINET-NOA

J: \B500-B599\B505\Drafting\TESTCABINET-NOA



SEASONS-4



PRODUCT REVISED  
 as complying with the Florida  
 Building Code  
 Acceptance No. 20-0929.14  
 Expiration Date 12/24/2024  
 By: *Heidi A. Miller*  
 Miami Dept Product Control

TOP (COMPLETE ASSEMBLY) SECTIONS  
 REFER TO DRAWING 9 FOR SECTION CUTS

J:\B500-B599\B505\Drafting\TESTCABINET-NOA

LEGEND	
(H)	HINGED ACCESS DOOR

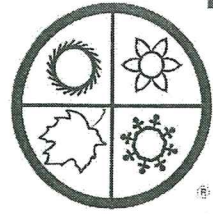
REV. #	BY	DATE	DESCRIPTION
0	D.R.	04/21/2013	ORIGINAL ISSUE
1	D.R.	05/09/2013	MADE UNIT 69 5/8 WIDER.
2	D.R.	10/09/2013	REVISED POST SPACING AND BRACING.
3	D.R.	08/27/2014	REVISED SECTION VIEW NOTE.
4	D.R.	10/7/2014	ADDED SCREWS.

SCOTT WOLTERS  
 FL PE# 62354

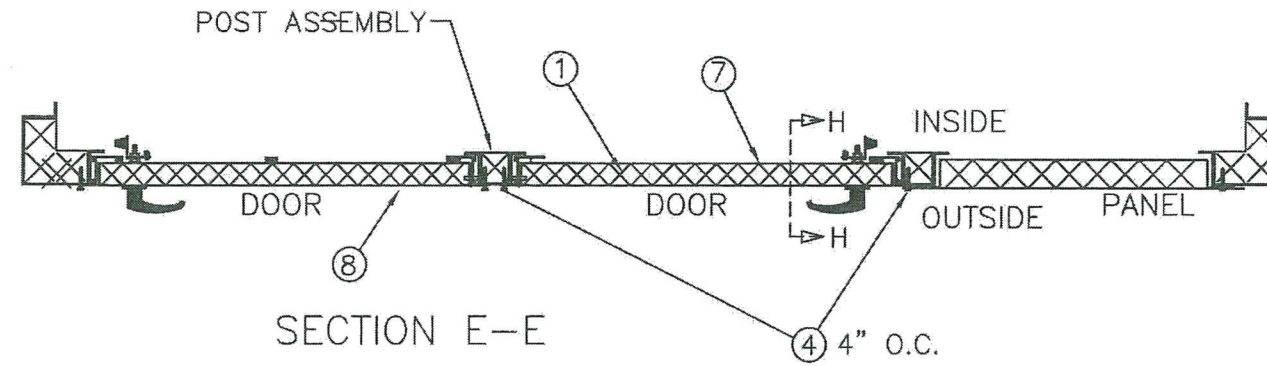
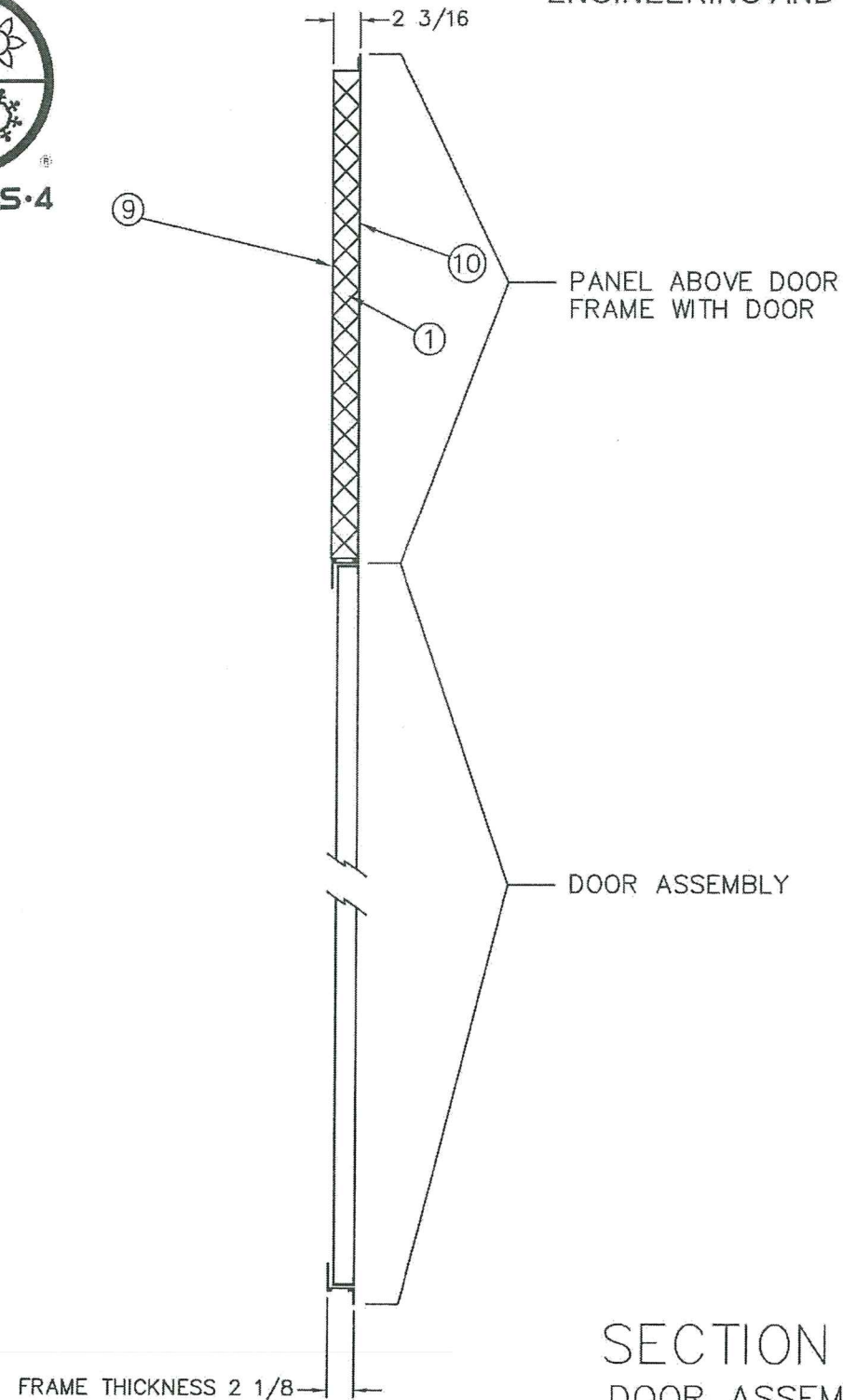
WOLTERS ENGINEERING  
 (COA# 27194)  
 15211 97TH ROAD N  
 WEST PALM BEACH, FL 33412  
 PH/FAX: (561) 225-1982

DIMENSIONAL DATA	
MIAMI DADE TEST CABINET	
MIAMI, FL	
MDTC-010	
CONSTRUCTION DETAILS	

DRAWN BY	D.R.
DATE	04/21/2013
SCALE	N/A
REVISION #	4
DWG. NAME	TESTCABINET-NOA



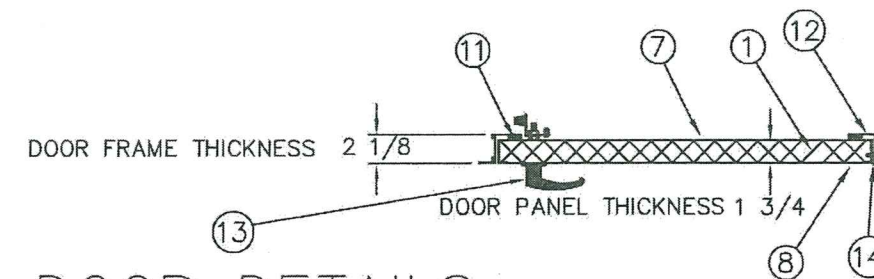
SEASONS-4



- ① 2.25 LB/FT<sup>3</sup> DENSITY POLYURETHANE FOAM INSULATION
- ④ SELF TAPPING SCREW #10-16x3/4 STAINLESS STEEL
- ⑦ .04 ALUMINUM DOOR LINER
- ⑧ .04 ALUMINUM CASING DOOR
- ⑨ .04 ALUMINUM DOOR PANEL LINER
- ⑩ .04 ALUMINUM DOOR PANEL
- ⑪ DOOR GASKET AT PERIMETER OF ALL DOOR PANELS
- ⑫ EXTRUDED AND WELDED DOOR FRAME
- ⑬ DOOR HANDLE ASSEMBLY
- ⑭ ALUMINUM POP RIVETS @ 24" CENTERS ATTACHING HINGE TO DOOR PANEL AND DOOR FRAME

PRODUCT REVISED  
 as complying with the Florida  
 Building Code  
 Acceptance No 20-0929.16  
 Expiration Date 12/24/2024  
 By *Hely A. Mator*  
 Miami Dade Product Control

- DOOR HARDWARE:
- 1. ROLLER CAM
  - 2. LATCHING MECHANISM
  - 3. DOOR HANDLE
  - 4. INTERLINK ARM



SECTION E-E SHOWING DOOR DETAILS

DOOR ASSEMBLY

SEE PAGE 1 FOR SECTION E-E CUT

SEE PAGE 13 FOR DOOR ASSEMBLY DETAILS

J:\B500-B599\B505\Drafting\TESTCABINET-NOA

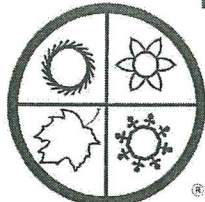
REV. #	BY	DATE	DESCRIPTION
0	DR	10/7/2014	ORIGINAL ISSUE

SCOTT WOLTERS  
 FL PE# 62354

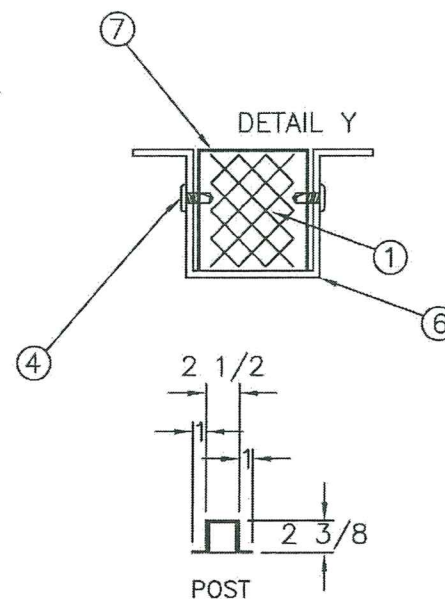
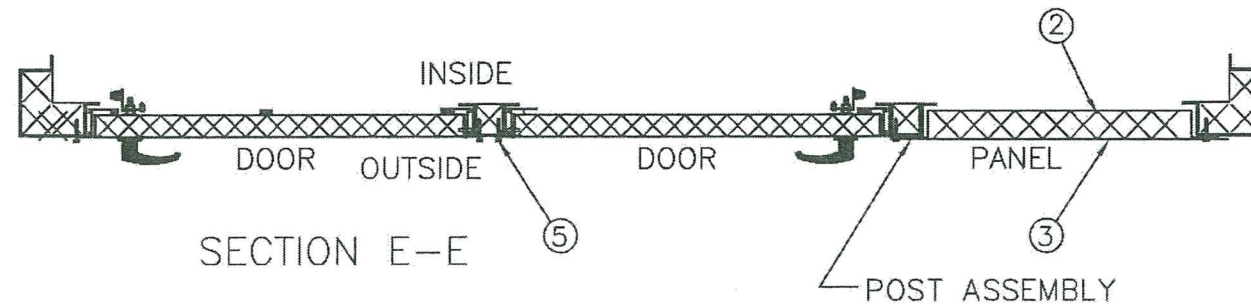
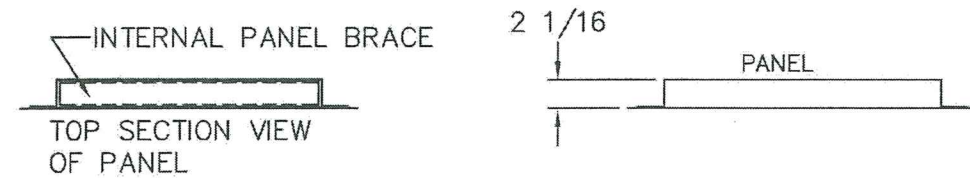
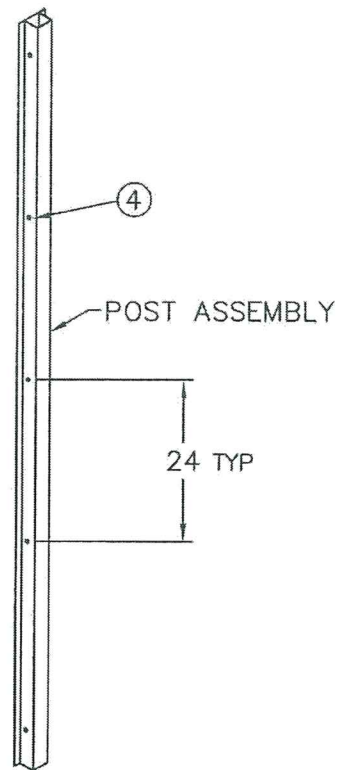
WOLTERS ENGINEERING  
 (COA# 27194)  
 15211 97TH ROAD N  
 WEST PALM BEACH, FL 33412  
 PH/FAX: (561) 225-1982

DIMENSIONAL DATA	
MIAMI DADE TEST CABINET	
MIAMI, FL	
MDTC-011	
CONSTRUCTION DETAILS	

DRAWN BY DR	
DATE	10/7/2014
SCALE	N/A
REVISION #	0
DWG. NAME	TESTCABINET-NOA



SEASONS-4



- ① 2.25 LB/FT<sup>3</sup> DENSITY POLYURETHANE FOAM INSULATION
- ② .04 ALUMINUM OR 24 GA GALVANIZED PANEL LINER
- ③ .04 ALUMINUM PANEL CASING
- ④ SELF TAPPING SCREW #8-18x1/2 STAINLESS STEEL @ 24" CENTERS
- ⑤ SELF TAPPING SCREW #10-16x3/4 STAINLESS STEEL @ 4" CENTERS
- ⑥ 16 GA POST
- ⑦ 24 GA POST LINER

PRODUCT REVISED  
 as complying with the Florida  
 Building Code  
 Acceptance No 20-0929.16  
 Expiration Date 12/24/2024  
 By Heba M. M.  
 Miami Dade Product Control

SECTION E-E SHOWING PANEL DETAILS AND POST DETAILS

PANEL AND POST ASSEMBLY  
 SEE DRAWING 1 FOR SECTION E-E CUT

J: \B500-B599\B505\Drafting\TESTCABINET-NOA

REV. #	BY	DATE	DESCRIPTION
0	DR	10/7/2014	ORIGINAL ISSUE

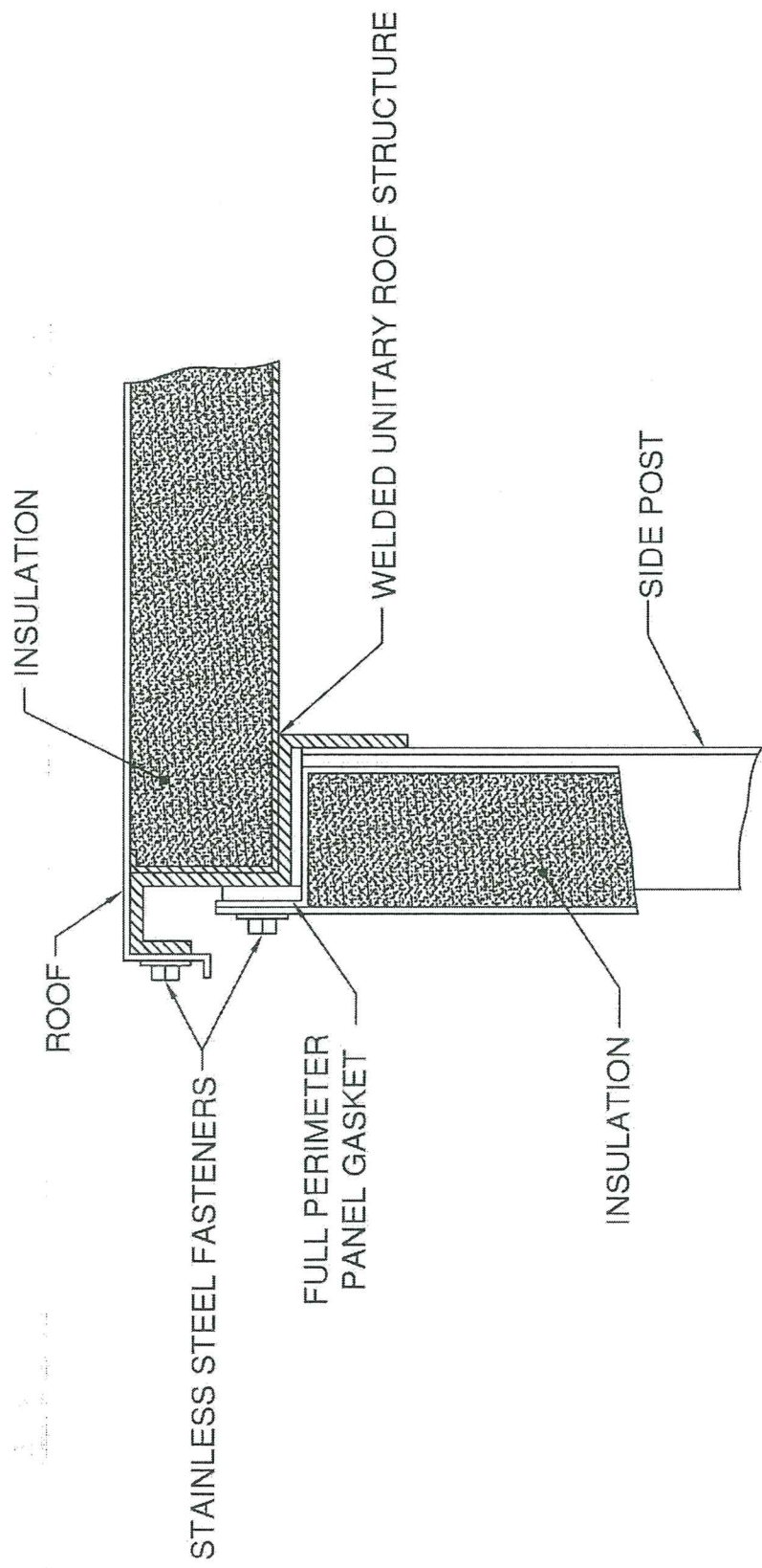
SCOTT WOLTERS  
 FL PE# 62354

WOLTERS ENGINEERING  
 (COA# 27194)  
 15211 97TH ROAD N  
 WEST PALM BEACH, FL 33412  
 PH/FAX: (561) 225-1982

DIMENSIONAL DATA	
MIAMI DADE TEST CABINET	
MIAMI, FL	
MDTC-012	
CONSTRUCTION DETAILS	

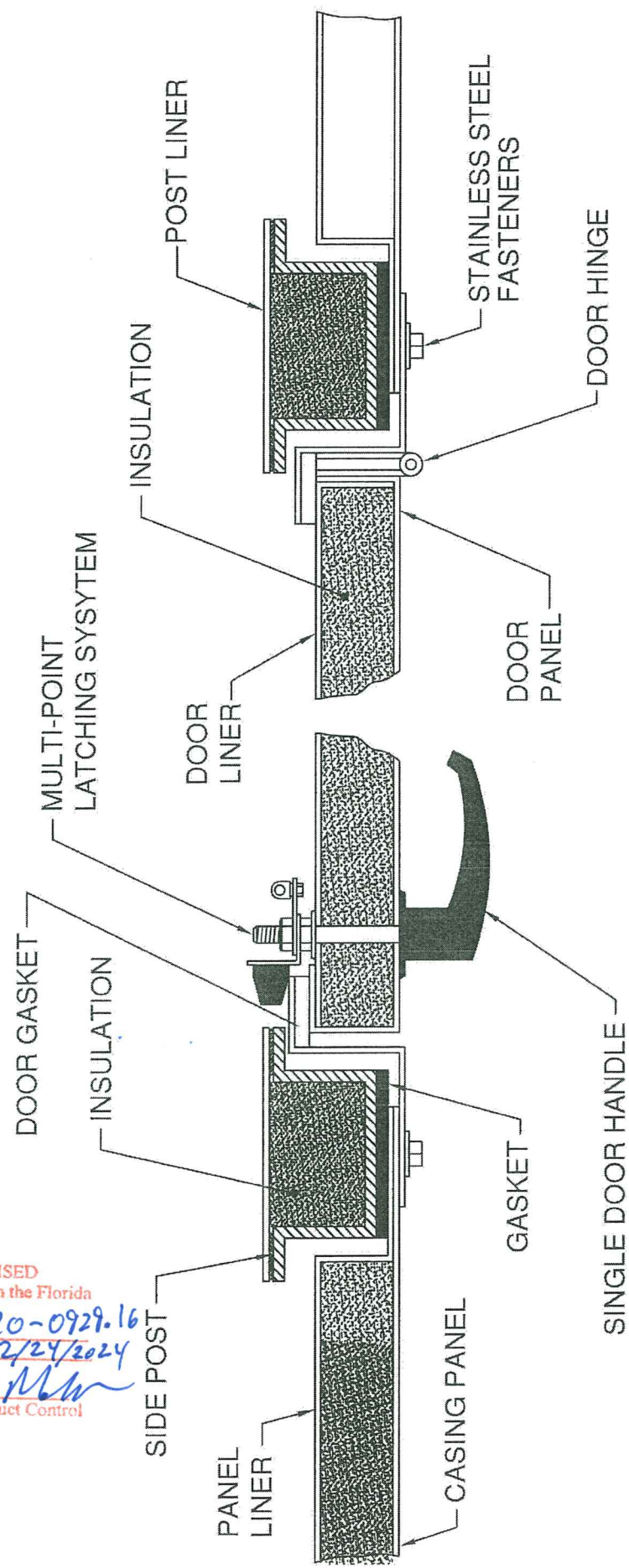
DRAWN BY DR	
DATE	10/7/2014
SCALE	N/A
REVISION #	0
DWG. NAME	
TESTCABINET-NOA	

# ROOF AND PANEL DETAILS



# DOOR AND PANEL DETAILS

PRODUCT REVISED  
 as complying with the Florida  
 Building Code  
 Acceptance No. 20-0929.16  
 Expiration Date 12/29/2024  
 By Heidi A. Moran  
 Miami Dade Product Control



REV. #	BY	DATE	DESCRIPTION
0	DR	10/22/2014	ORIGINAL ISSUE

SCOTT WOLTERS FL PE# 62354 WOLTERS ENGINEERING (COA# 27194) 15211 97TH ROAD N WEST PALM BEACH, FL 33413 PH/FAX: (561) 225-1982		DRAWN BY DR DATE 10/7/2014 SCALE N/A REVISION # 0 DWG. NAME TESTCABINET-NOA
MIAMI DADE TEST CABINET MIAMI, FL MDTC-13 CONSTRUCTION DETAILS		J:\B500-B599\B505\Drafting\TESTCABINET-NOA

